



NJXB3 Relay

1. General

NJXB3 relay is used as an overvoltage, undervoltage, phase failure, phase sequence, three-phase voltage unbalance and PTC temperature protection device in three-phase three-wire control circuits with an AC voltage of 380V and a frequency of 50Hz/60Hz and three-phase four-wire control circuits with an AC voltage of 220V and a frequency of 50Hz/60Hz to make and break the circuit.

2. Type designation

N J X B 3 - □ □

Company code
Relay
Phase protection
Design sequence No.
1~18 function code (see Table 1)
P: PTC temperature protection, optional.

Model	Three-phase three-wire	Three-phase four-wire	Single-phase/two-phase	Overvoltage protection	Undervoltage protection	Unbalance protection	Phase sequence protection	Phase failure protection	PTC temperature protection
NJXB3-1	●			$(1.05\sim 1.3)\times U_e$				●	
NJXB3-2	●				$(0.7\sim 0.95)\times U_e$			●	
NJXB3-3	●			$(1.05\sim 1.3)\times U_e$	$(0.7\sim 0.95)\times U_e$			●	
NJXB3-4	●			$(1.05\sim 1.3)\times U_e$	$(0.7\sim 0.95)\times U_e$		●	●	
NJXB3-5	●			$(1.05\sim 1.3)\times U_e$	$(0.7\sim 0.95)\times U_e$	Fixed 20%	●	●	○
NJXB3-6	●			Fixed $120\%\times U_e$	Fixed $80\%\times U_e$	5%~15%	●	●	○
NJXB3-7	●			$(1.05\sim 1.3)\times U_e$	$(0.7\sim 0.95)\times U_e$	5%~15%	●	●	○
NJXB3-8	●							●	●
NJXB3-9	●						●	●	●
NJXB3-10	●						●	●	
NJXB3-11		●	●	$(1.05\sim 1.3)\times U_e$				●	
NJXB3-12		●	●		$(0.7\sim 0.95)\times U_e$			●	
NJXB3-13		●	●	$(1.05\sim 1.3)\times U_e$	$(0.7\sim 0.95)\times U_e$			●	
NJXB3-14		●		$(1.05\sim 1.3)\times U_e$	$(0.7\sim 0.95)\times U_e$		●	●	
NJXB3-15		●		$(1.05\sim 1.3)\times U_e$	$(0.7\sim 0.95)\times U_e$	Fixed 20%	●	●	○
NJXB3-16		●		Fixed $120\%\times U_e$	Fixed $80\%\times U_e$	5%~15%	●	●	○
NJXB3-17		●		$(1.05\sim 1.3)\times U_e$	$(0.7\sim 0.95)\times U_e$	5%~15%	●	●	○
NJXB3-18		●					●	●	○

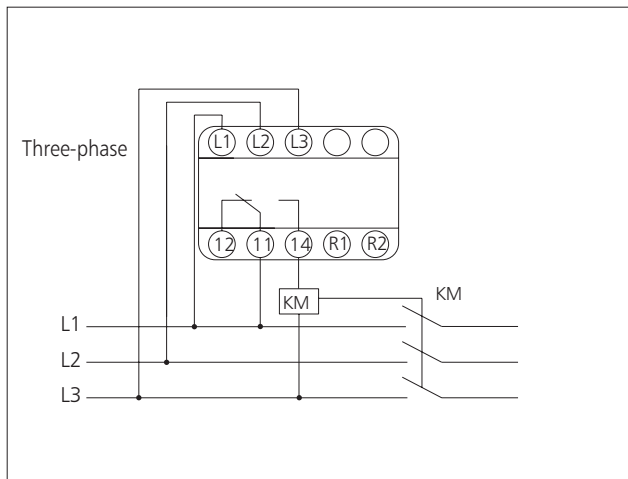
Note: ● denotes available functions, ○ denotes optional functions.

3. Technical data

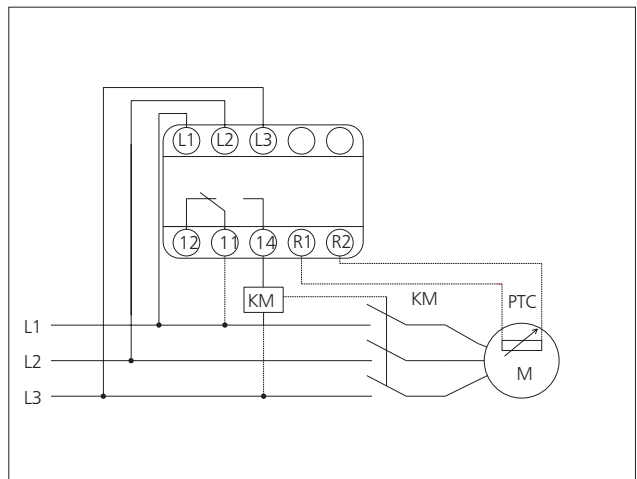
Model	Protection function	Protection operation time	Rated operational voltage	Contact capacity	Contact form	Electrical life	Mechanical life
NJXB3	Overvoltage	0.1s~10s	Three-phase three-wire system: AC 380V 50Hz/60Hz	Ue/Ie:AC-15 220V/0.75, 380V/0.47A; Ith:3A	1 Z	10 ⁵	10 ⁶
	Undervoltage						
	Three-phase voltage unbalance						
	Phase failure, phase sequence	≤1s	Three-phase four-wire system: AC 220V 50Hz/60Hz				
	PTC temperature protection						

4. Wiring diagram

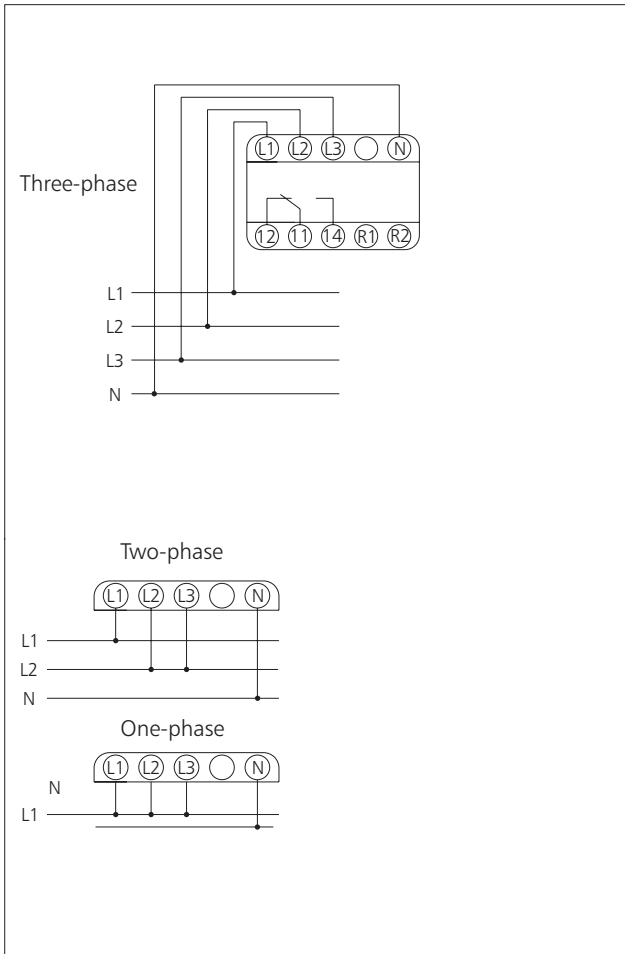
NJXB3-1, NJXB3-2, NJXB3-3, NJXB3-4, NJXB3-10
Wiring diagram



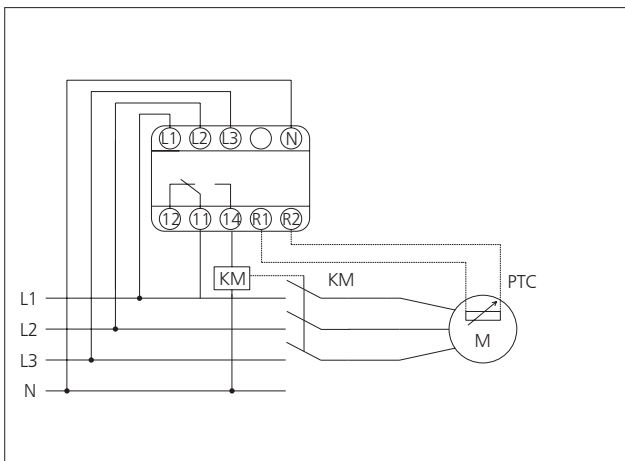
NJXB3-5(P), NJXB3-6(P), NJXB3-7(P), NJXB3-8(P), NJXB3-9
Wiring diagram



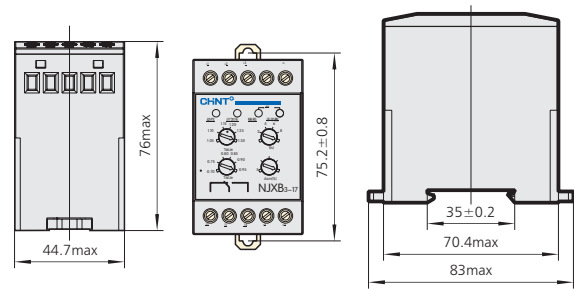
NJXB3-11, NJXB3-12, NJXB3-13 Wiring diagram



NJXB3-14, NJXB3-15(P), NJXB3-16(P), NJXB3-17(P), NJXB3-18
Wiring diagram



5. Overall and mounting dimensions (mm)



6. Installation and use

- 6.1 Connect the wires correctly in accordance with the connection diagram.
- 6.2 If the relay is of rail mounting type, use TH35-7.5 mounting rail.
- 6.3 If the relay is of installation mounting type, remove the limiter.